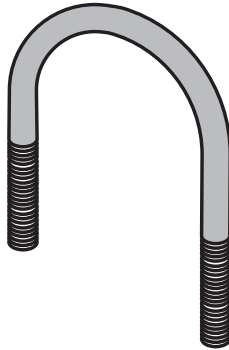


**6.3 ABRAZADERA TIPO "U" SERVICIO LIGERO**



NO INCLUYE TUERCAS / NUTS NOT INCLUDED

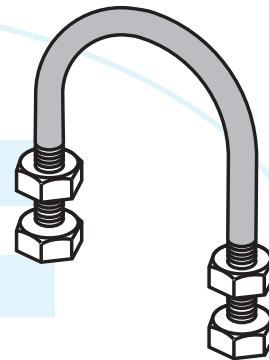
**6.3 LIGHT DUTY U-BOLT**

| No DE CATALOGO<br>CATALOG NUMBER | DIAMETRO NOMINAL<br>CONDUIT SIZE | DIAMETRO DE VARILLA<br>ROD SIZE |
|----------------------------------|----------------------------------|---------------------------------|
| AU120-12                         | 1/2                              | 6.3 (1/4)                       |
| AU120-34                         | 3/4                              | 6.3 (1/4)                       |
| AU120-1                          | 1                                | 6.3 (1/4)                       |
| AU120-114                        | 1 1/4                            | 6.3 (1/4)                       |
| AU120-112                        | 1 1/2                            | 6.3 (1/4)                       |
| AU120-2                          | 2                                | 6.3 (1/4)                       |
| AU120-212                        | 2 1/2                            | 9.5 (3/8)                       |
| AU120-3                          | 3                                | 9.5 (3/8)                       |
| AU120-312                        | 3 1/2                            | 9.5 (3/8)                       |
| AU120-4                          | 4                                | 9.5 (3/8)                       |
| AU120-5                          | 5                                | 9.5 (3/8)                       |
| AU120-6                          | 6                                | 12.7 (1/2)                      |
| AU120-8                          | 8                                | 12.7 (1/2)                      |
| AU120-10                         | 10                               | 15.8 (5/8)                      |

**ABRAZADERA TIPO "U" SERVICIO PESADO**

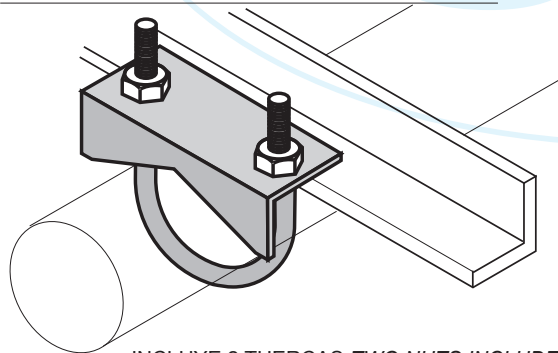
| No DE CATALOGO<br>CATALOG NUMBER | DIAMETRO NOMINAL<br>CONDUIT SIZE | DIAMETRO DE VARILLA<br>ROD SIZE |
|----------------------------------|----------------------------------|---------------------------------|
| AU137-114                        | 1 1/4                            | 9.5 (3/8)                       |
| AU137-1                          | 1 1/2                            | 9.5 (3/8)                       |
| AU137-2                          | 2                                | 9.5 (3/8)                       |
| AU137-212                        | 2 1/2                            | 12.7 (1/2)                      |
| AU137-3                          | 3                                | 12.7 (1/2)                      |
| AU137-312                        | 3 1/2                            | 12.7 (1/2)                      |
| AU137-4                          | 4                                | 12.7 (1/2)                      |
| AU137-5                          | 5                                | 12.7 (1/2)                      |
| AU137-6                          | 6                                | 15.8 (5/8)                      |
| AU137-8                          | 8                                | 15.8 (5/8)                      |
| AU137-10                         | 10                               | 19 (3/4)                        |
| AU137-12                         | 12                               | 22.2 (7/8)                      |
| AU137-14                         | 14                               | 22.2 (7/8)                      |
| AU137-16                         | 16                               | 22.2 (7/8)                      |
| AU137-18                         | 18                               | 25.4 (1)                        |
| AU137-20                         | 20                               | 25.4 (1)                        |

**HEAVY DUTY U-BOLT**



INCLUYE 4 TUERCAS / FOUR NUTS INCLUDED

**ABRAZADERA TIPO "U" CON MORDAZA**



INCLUYE 2 TUERCAS TWO NUTS INCLUDED

**BEAM U-BOLT CLAMP**

| No DE CATALOGO<br>CATALOG NUMBER | DIAMETRO NOMINAL<br>CONDUIT SIZE | DIAMETRO DE VARILLA<br>ROD SIZE |
|----------------------------------|----------------------------------|---------------------------------|
| AUM30-12                         | 1/2                              | 6.3 (1/4)                       |
| AUM30-34                         | 3/4                              | 6.3 (1/4)                       |
| AUM30-1                          | 1                                | 6.3 (1/4)                       |
| AUM30-114                        | 1 1/4                            | 6.3 (1/4)                       |
| AUM30-112                        | 1 1/2                            | 9.5 (3/8)                       |
| AUM30-2                          | 2                                | 9.5 (3/8)                       |
| AUM30-212                        | 2 1/2                            | 12.7 (1/2)                      |
| AUM30-3                          | 3                                | 12.7 (1/2)                      |
| AUM30-312                        | 3 1/2                            | 12.7 (1/2)                      |
| AUM30-4                          | 4                                | 12.7 (1/2)                      |

MATERIALES Y ACABADOS:

- GE** : ACERO AL CARBONO GALVANIZADO ELECTROLITICO SEGUN ASTM B 633
- T** : ACERO AL CARBONO TROPICALIZADO
- PVC** : ACERO AL CARBONO CON RECUBRIMIENTO DE PVC SEGUN NEMA RN-1
- AI** : ACERO INOXIDABLE ACABADO NATURAL

MATERIALS & FINISHES :

- GE** : ELECTROGALVANIZED STEEL UNDER ASTM B 633
- T** : CHROMIUM/ZINC COATED CARBON STEEL
- PVC** : PVC COATED CARBON STEEL UNDER NEMA RN 1
- AI** : NATURAL FINISHED STAINLESS STEEL

TODAS LAS DIMENSIONES EN mm (Pulg) / ALL DIMENSIONS ARE IN mm (Inch)

PUEDE SER SUJETO A MODIFICACION SIN PREVIO AVISO / MAY BE SUBJECT TO MODIFICATION WITHOUT NOTICE